

500Kg~5Ton

Hoist with Hook



Shell: Light aluminum alloy shell shall be adopted which is light but hard and fit for the use in the terrible work environment with a high heat dissipation rate and all lightness design.

Inverse phase sequence protecting device: It is the special electrical installation which control the circuit not to work in case of wiring error in the power supply.

Limit switch: The limit switch device is installed where the weight is lifted on and off to make the motor to stop automatically so as to prohibit the chains from exceeding for safety.

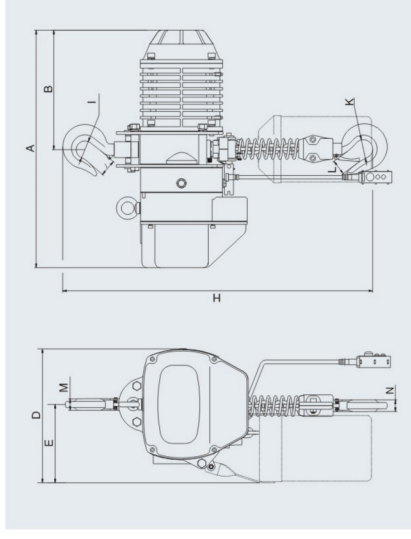
24V/36V device: it is used to prohibit the emergencies from occurring in case of the leakage in the switch.

Side magnetic braking device: This device shall realize the instant brake in case of the power dump.

Chain bag: It shall be light, handsome and durable.

Chain: The chain shall adopt the Japan FEC80 ultra heat-treatable steel alloy chain.

» Dimensions



» Technical Parameters

Type	Capacity (Ton)	Standard Lifting Height (m)	Lifting Motor			
			Lifting Speed (m/min)	Power (Kw)	Rotation Speed (r/min)	Phases
HKD00501S	0.5	3	6.8	0.75	1440	3
HKD0101S	1	3	6.6	1.5	1440	3
HKD0102S	1	3	3.4	0.75	1440	3
HKD01501S	1.5	3	8.8	3.0	1440	3
HKD0201S	2	3	6.6	3.0	1440	3
HKD0202S	2	3	3.3	1.5	1440	3
HKD02501S	2.5	3	5.4	3.0	1440	3
HKD0301S	3	3	5.4	3.0	1440	3
HKD0302S	3	3	4.4	3.0	1440	3
HKD0303S	3	3	2.2	1.5	1440	3
HKD0502S	5	3	2.7	3.0	1440	3

» Size Specification

Type	Capacity (Ton)	Unit (mm)													
		H	A	B	D	E	I	J	K	L	M	N	Chain		
HKD00501S	0.5	540	455	240	285	176	φ34	28	φ34	25	19	19	φ6.3		
HKD0101S	1	650	520	260	300	176	φ42	32	φ42	32	24	24	φ7.1		
HKD0102S	1	575	455	240	285	165	φ34	28	φ34	25	19	19	φ6.3		
HKD01501S	1.5	800	615	295	430	265	φ49	40	φ49	40	30	30	φ10.0		
HKD0201S	2	800	615	295	430	265	φ49	40	φ49	40	30	30	φ10.0		
HKD0202S	2	835	520	260	300	236	φ49	40	φ49	40	30	30	φ7.1		
HKD02501S	2.5	845	615	295	430	265	φ59	48	φ59	48	35	35	φ11.2		
HKD0301S	3	845	615	295	430	265	φ59	48	φ59	48	35	35	φ11.2		
HKD0302S	3	950	615	295	430	320	φ59	48	φ59	48	35	35	φ10.0		
HKD0303S	3	950	520	260	350	205	φ59	48	φ59	48	35	35	φ7.1		
HKD0502S	5	1030	615	295	430	325	φ60	48	φ60	48	43	43	φ11.2		

» Dual speed

Type	Capacity (Ton)	Standard Lifting Height (m)	Lifting Motor			
			Lifting Speed (m/min)	Power (Kw)	Rotation Speed (r/min)	Phases
HKD00501SD	0.5	3	6.823	0.75/0.25	2880/960	3
HKD0101SD	1	3	6.823	0.75/0.25	2880/960	3
HKD0102SD	1	3	3.311	1.5/0.5	2880/960	3
HKD01501SD	1.5	3	8.929	3.0/1.0	2880/960	3
HKD0201SD	2	3	6.823	3.0/1.0	2880/960	3
HKD0202SD	2	3	3.311	1.5/0.5	2880/960	3
HKD02501SD	2.5	3	5.418	3.0/1.0	2880/960	3
HKD0301SD	3	3	5.418	3.0/1.0	2880/960	3
HKD0302SD	3	3	4.515	3.0/1.0	2880/960	3
HKD0303SD	3	3	2.308	1.5/0.5	2880/960	3
HKD0502SD	5	3	2.709	3.0/1.0	2880/960	3

Remark: 1. Lifting height against customer's requirement. 2. 60Hz/s Speed=50Hz/s Speed x 1.2