

500Kg~5Ton

Hoist with Electric Trolley

Shell: Light aluminum alloy shell shall be adopted which is light but hard and fit for the use in the terrible work environment with a high heat dissipation rate and all tightness design.

Inverse phase sequence protecting device: It is the special electrical installation which control the circuit not to work in case of wiring error in the power supply.

Limit switch: The limit switch device is installed where the weight is lifted on and off to make the motor to stop automatically so as to prohibit the chains from exceeding for safety.

24V/36V device: it is used to prohibit the emergencies from occurring in case of the leakage in the switch.

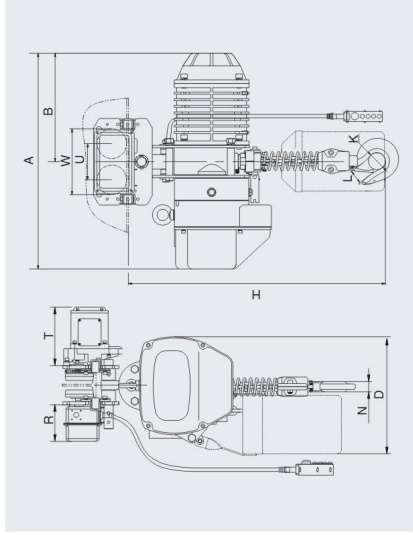
Side magnetic braking device: This device shall realize the instant brake in case of the power dump.

Chain bag: It shall be light, handsome and durable.

Chain: The chain shall adopt the Japan FEC80 ultra heat-treatable steel alloy chain.



» Dimensions



» Technical Parameters

Type	Capacity (Ton)	Standard Lifting Height (m)	Lifting Motor			Trolley Motor			I-Beam (mm)			
			Lifting Speed (m/min)	Power (Kw)	Rotation Speed (r/min)	Phases	Voltage (V)	Frequency (Hz)		Power (Kw)	Rotation Speed (r/min)	Trolley Speed (m/min)
HKDM00501S	0.5	3	6.8	0.75	1440	3	200-600	50	0.4	1440	11/21	58-153
HKDM0101S	1	3	6.6	0.75	1440	3	200-600	50	0.4	1440	11/21	58-153
HKDM0102S	1	3	3.4	1.5	1440	3	200-600	50	0.4	1440	11/21	58-153
HKDM01501S	1.5	3	8.8	3.0	1440	3	200-600	50	0.4	1440	11/21	82-178
HKDM0201S	2	3	6.6	3.0	1440	3	200-600	50	0.4	1440	11/21	82-178
HKDM0202S	2	3	3.3	1.5	1440	3	200-600	50	0.4	1440	11/21	82-178
HKDM02501S	2.5	3	5.4	3.0	1440	3	200-600	50	0.75	1440	11/21	100-178
HKDM0301S	3	3	5.4	3.0	1440	3	200-600	50	0.75	1440	11/21	100-178
HKDM0302S	3	3	4.4	3.0	1440	3	200-600	50	0.75	1440	11/21	100-178
HKDM0303S	3	3	2.2	1.5	1440	3	200-600	50	0.75	1440	11/21	100-178
HKDM0502S	5	3	2.7	3.0	1440	3	200-600	50	0.75	1440	11/21	100-178

Single speed

Dual speed

Type	Capacity (Ton)	Standard Lifting Height (m)	Lifting Motor			Trolley Motor			I-Beam (mm)			
			Lifting Speed (m/min)	Power (Kw)	Rotation Speed (r/min)	Phases	Voltage (V)	Frequency (Hz)		Power (Kw)	Rotation Speed (r/min)	Trolley Speed (m/min)
HKDM00501SD	0.5	3	6.8/2.3	0.75/0.25	2880/960	3	200-600	50	0.4	2880/960	11/21	58-153
HKDM0101SD	1	3	6.8/2.3	0.75/0.25	2880/960	3	200-600	50	0.4	2880/960	11/21	58-153
HKDM0102SD	1	3	3.3/1.1	1.5/0.5	2880/960	3	200-600	50	0.4	2880/960	11/21	58-153
HKDM01501SD	1.5	3	8.9/2.9	3.0/1.0	2880/960	3	200-600	50	0.4	2880/960	11/21	82-178
HKDM0201SD	2	3	6.8/2.3	3.0/1.0	2880/960	3	200-600	50	0.4	2880/960	11/21	82-178
HKDM0202SD	2	3	3.3/1.1	1.5/0.5	2880/960	3	200-600	50	0.4	2880/960	11/21	82-178
HKDM02501SD	2.5	3	5.4/1.8	3.0/1.0	2880/960	3	200-600	50	0.75	2880/960	11/21	100-178
HKDM0301SD	3	3	5.4/1.8	3.0/1.0	2880/960	3	200-600	50	0.75	2880/960	11/21	100-178
HKDM0302SD	3	3	4.5/1.5	3.0/1.0	2880/960	3	200-600	50	0.75	2880/960	11/21	100-178
HKDM0303SD	3	3	2.3/0.8	1.5/0.5	2880/960	3	200-600	50	0.75	2880/960	11/21	100-178
HKDM0502SD	5	3	2.7/0.9	3.0/1.0	2880/960	3	200-600	50	0.75	2880/960	11/21	100-178

Remark: 1. Lifting height against customer's requirement. 2. 60Hz/s Speed=50Hz/s Speed x 1.2

» Size Specification

Type	Capacity (Ton)	Unit (mm)															
		H	A	B	D	E	I	K	L	N	W	U	R	T	Chain		
HKDM00501S	0.5	610	455	240	285	165	31	42	32	24	206	111	142	231	φ6.3		
HKDM0101S	1	665	455	240	285	165	31	42	32	24	206	111	142	231	φ6.3		
HKDM0102S	1	650	520	260	300	176	31	42	32	24	206	111	142	231	φ7.1		
HKDM01501S	1.5	770	615	295	430	265	36	49	40	30	237	127	142	231	φ10.0		
HKDM0201S	2	770	615	295	430	265	36	49	40	30	237	127	142	231	φ7.1		
HKDM0202S	2	815	520	260	300	236	36	49	40	30	237	127	142	231	φ7.1		
HKDM02501S	2.5	830	615	295	430	265	43	59	48	35	265	140	142	231	φ11.2		
HKDM0301S	3	830	615	295	430	265	43	59	48	35	265	140	142	231	φ11.2		
HKDM0302S	3	930	615	295	430	320	43	59	48	35	265	140	142	231	φ10.0		
HKDM0303S	3	940	520	260	350	205	43	59	48	35	265	140	142	231	φ7.1		
HKDM0502S	5	1015	615	295	430	325	54	60	48	43	296	156	142	231	φ11.2		

Single speed

Dual speed

Type	Capacity (Ton)	Unit (mm)															
		H	A	B	D	E	I	K	L	N	W	U	R	T	Chain		
HKDM00501SD	0.5	610	545	260	285	165	31	42	32	24	206	111	142	231	φ6.3		
HKDM0101SD	1	665	582	280	285	165	31	42	32	24	206	111	142	231	φ6.3		
HKDM0102SD	1	650	545	260	300	176	31	42	32	24	206	111	142	231	φ7.1		
HKDM01501SD	1.5	770	670	313	430	265	36	49	40	30	237	127	142	231	φ10.0		
HKDM0201SD	2	770	670	313	430	265	36	49	40	30	237	127	142	231	φ10.0		
HKDM0202SD	2	815	582	280	300	236	36	49	40	30	237	127	142	231	φ7.1		
HKDM02501SD	2.5	830	670	313	430	265	43	59	48	35	265	140	142	231	φ11.2		
HKDM0301SD	3	830	670	313	430	265	43	59	48	35	265	140	142	231	φ11.2		
HKDM0302SD	3	930	670	313	430	320	43	59	48	35	265	140	142	231	φ10.0		
HKDM0303SD	3	940	582	280	350	205	43	59	48	35	265	140	142	231	φ7.1		
HKDM0502SD	5	1015	670	313	430	325	54	60	48	43	296	156	142	231	φ11.2		